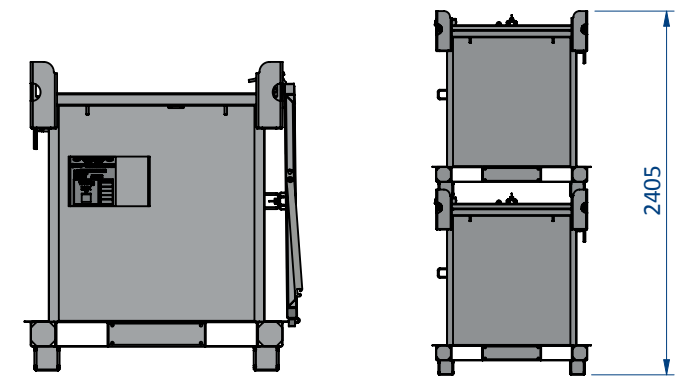
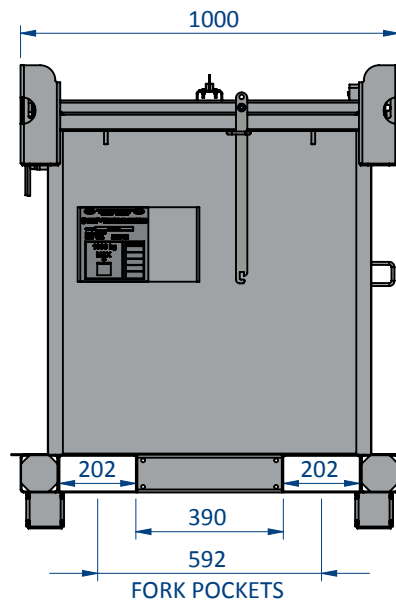
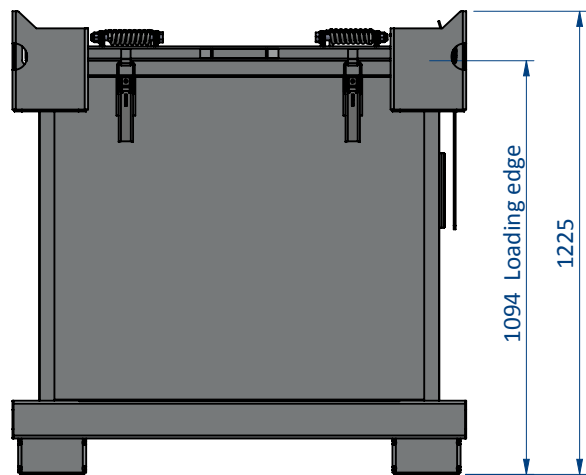
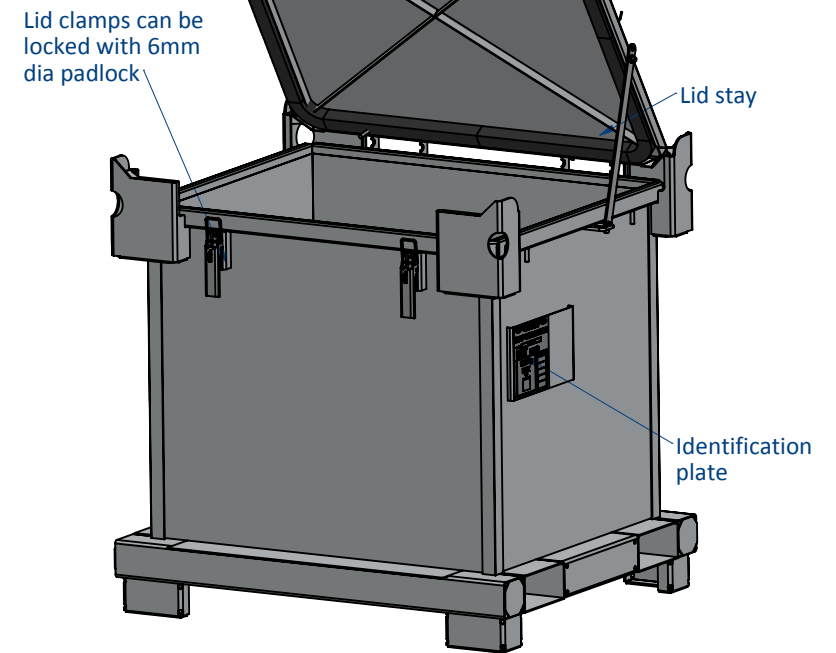
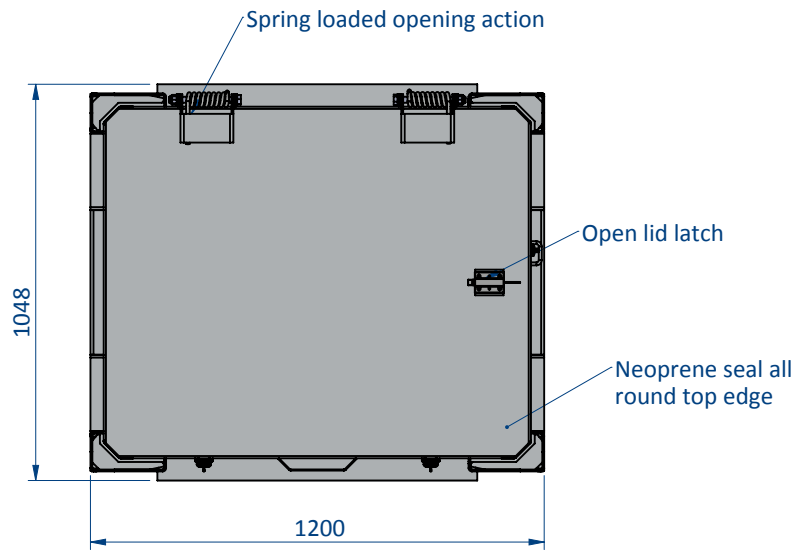


Wastesafe sealed

UN approved 800L capacity hazardous waste container
 Weight empty: 210kg



Material/Finish: Mild Steel fabrication / Hot dip galvanized

Egbert Taylor
 Group
 Oak Park, Ryelands Lane, Elmley Lovett,
 Worcestershire WR9 0QZ 01299 251333

Description
Wastesafe (Solids) main assembly
 Wastesafe hazardous waste container

G/A: 03499

Drawn
 09/11/2016
 by JJA

General tolerance
+/- 1mm
+/- 1°
 unless otherwise stated

-	-	-	-
B	New drawing	2016-63	26/09/16
Issue	Reason for modification	NP#	Date

Drawing No.
03498-B